



GEARHEADS Frame size 90mm sq. (3.54 in. sq.)

METAL TYPE & BALL BEARING TYPE

▶ **RATED TORQUE OF GEARHEAD**

MODEL	Synchronous Speed		500	300	200	120	100	60	50	30	20	15	10	9	
	Ratio	Speed	50Hz	3	5	7.5	12.5	15	25	30	50	75	100	150	166.7
L9HK□M	High	kg-cm	60Hz	3.6	6	9	15	18	30	36	60	90	120	180	200
	Low		7.5	12.6	18.8	31.4	37.7	56.6	67.9	100	100	100	100	100	100
L9HK□B	High	N-m	60Hz	0.24	0.40	0.60	0.99	1.19	1.79	2.15	3.23	4.85	6.47	9.70	9.70
	Low		0.74	1.23	1.85	3.08	3.69	5.54	6.65	9.80	9.80	9.80	9.80	9.80	9.80
	High	oz-in	60Hz	105	174	262	436	523	786	943	1389	1389	1389	1389	1389
	Low		34	56	84	141	169	253	304	458	687	917	1375	1375	1375

- * The normal torque is that the motor and gearhead are directly coupled.
- * Insert the denominator of reduction ratio in □ of gearhead model name.
- * Actual rotation speed is 2~15% less than synchronous speed.
- * ■Color indicates that the rotation of gearhead shaft is in opposite direction as output shaft of motor.

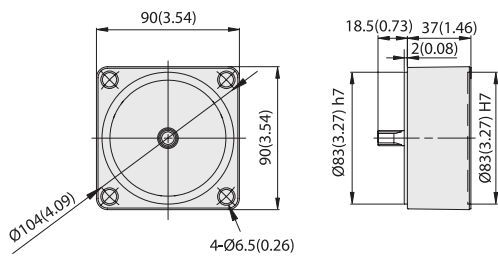
SPEED CONTROL & BRAKE REVERSIBLE MOTORS

DIMENSIONS

Unit : mm(inch)

DECIMAL GEARHEAD

L9G10D

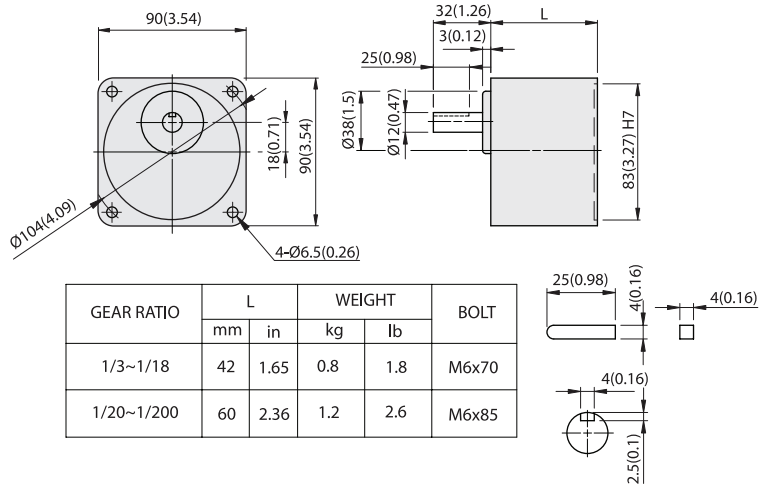


WEIGHT 0.6kg(1.3 lb)

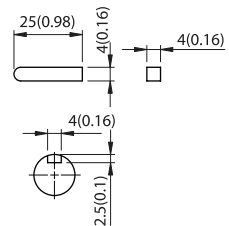


GEARHEAD

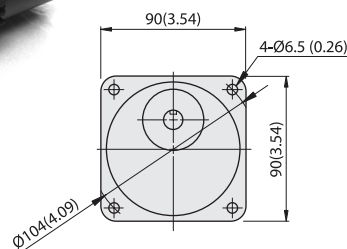
L9HK□M(B)



GEAR RATIO	L		WEIGHT		BOLT
	mm	in	kg	lb	
1/3~1/18	42	1.65	0.8	1.8	M6x70
1/20~1/200	60	2.36	1.2	2.6	M6x85



KEY SIZE



L9HK□M(B) + L9R40P□LES

